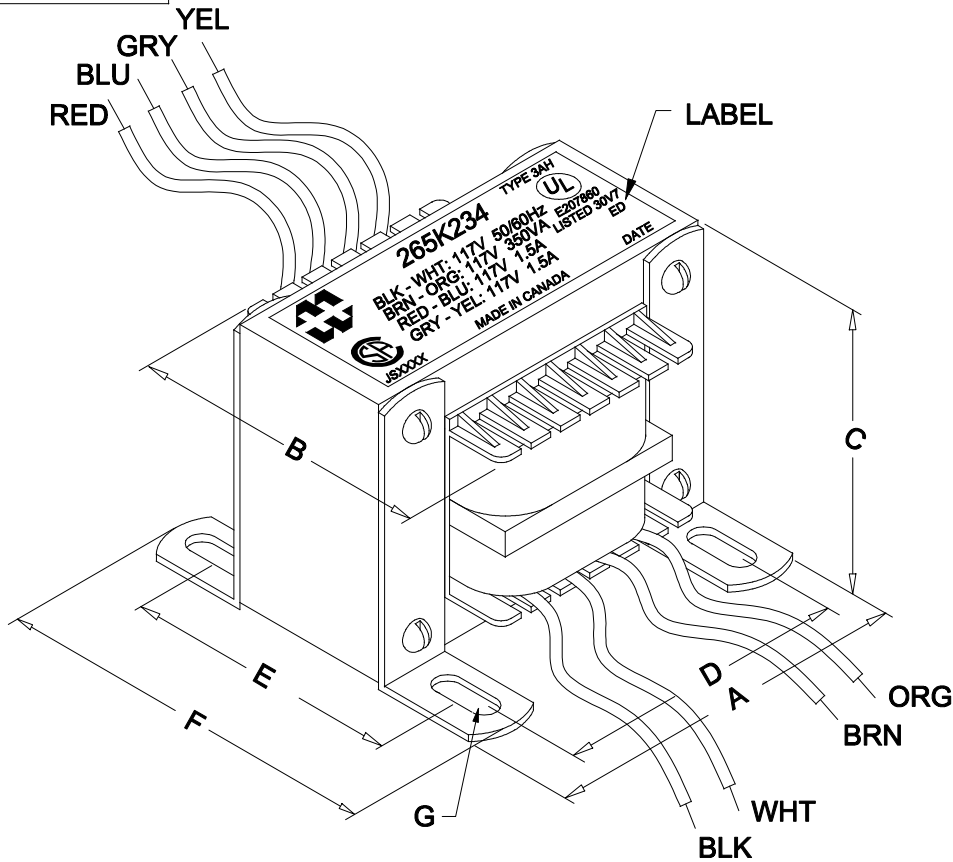
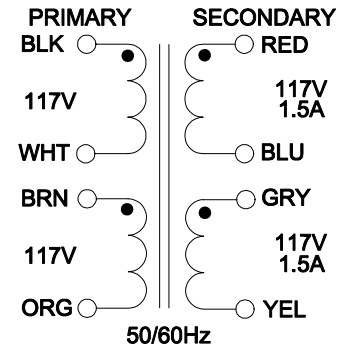


DIMENSIONS:	
A	4.500" ±0.063
B	4.190" ±0.125
C	3.750" ±0.063
D	3.750" ±0.063
E	3.375" ±0.063
F	3.937" ±0.063
G	0.203" X 0.375" ±0.015



NOTE: ALL LEADS 9.0" OUT MIN.



FOR 234V:  
CONNECT WHT & BRN  
  
FOR 117V:  
CONNECT ORG & WHT,  
BRN & BLK

FOR SERIES 234V @ 1.5A  
CONNECT GRY & BLU  
  
FOR PARALLEL 117V @ 3A  
CONNECT YEL & BLU,  
RED & GRY

ELECTRICAL DATA:		
TESTS	CONDITIONS	ACCEPTANCE CRITERIA
I <sub>ex</sub>	@ 117V, 60Hz, BLK - WHT	486mA Max.
Sec. N.L.V	@ 117V, 60Hz, BLK - WHT	
	BRN - ORG =	117.0V ±2%
	RED - BLU =	121.3V ±2%
	GRY - YEL =	122.1V ±2%
DCR	@ 20°C, WHT - BLK =	0.997 Ω ±20%
	@ 20°C, BRN - ORG =	1.176 Ω ±20%
	@ 20°C, RED - BLU =	1.034 Ω ±20%
	@ 20°C, GRY - YEL =	1.234 Ω ±20%
HIPOT	PRIMARY - SECONDARY	4000V, 60Hz, 1 SEC

REV.#	REVISION	DATE	HAMMOND ELECTRONIC DIVISION		52 RANKIN PLACE, WATERLOO, ONTARIO, N2J 3Z5	PH # (519) 886-6181 FAX # (519) 886-9540
0	RELEASED. C.I.	12/23/13	MANUFACTURING™			
			DWG. BY: C. ILIE	CHK'D BY:	TITLE: POWER TRANSFORMER	DWG. NO. 265K234
			DATE: 12/23/13	APP'D. BY:		
				DIMENSIONS: IN(X) MM( )		